

G O D F R E Y

S Y R E T T

Studio

Learn • Develop • Relax



Studio

Learn • Develop • Relax

Residential furniture is as much about accommodating people's needs as well as their possessions. It's a busy world we live in, and a comfortable living space to study and relax is more important now than ever before.

It is with this ideal in mind that Godfrey Syrett proudly unveils STUDIO, the new living accommodation range. There's more than a touch of inspiration about STUDIO. This eye catching furniture collection has been divided into three specific ranges, but all share the same common Godfrey Syrett values - Enviable quality, maximum functionality and perfect style.

Backed by a full seven year guarantee, you can be sure that STUDIO is built to last - and built responsibly. All wooden parts are FSC compliant, containing at least 30% certified virgin fibre and every item in our range is produced within a BS EN ISO9001 quality-driven environment. Godfrey Syrett is also a proud member of FIRA, the UK's leading furniture research and testing organisation.



H 1 (for use on Studio 10 or Studio 20)



H 2 (for use on Studio 20)



H 3 (for use on Studio 20)



H 4 (for use on Studio 20)



H 5 (for use on Studio 20)



H 6 (for use on Studio 30)

INDEX



pages 2 & 3



pages 4 & 5



pages 6 & 7

Wood Finishes



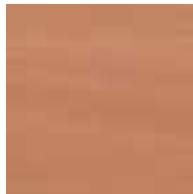
Cherry



Apple



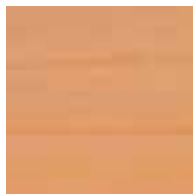
Oak



Beech

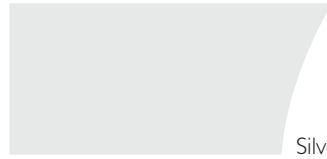


Maple



Beech Veneer

Metal Finishes



Silver



Light Grey



Graphite Grey



Black



Brown

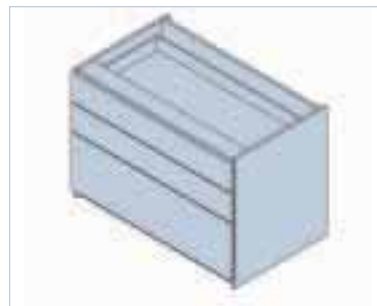
Wood finishes available are Cherry, Apple, Oak, Beech, Maple melamine and Beech veneer (whilst we ensure that the colours shown above are as accurate as the printing process will allow, we recommend that you check colour samples first).



pages 8 & 9



pages 10 & 11



page 12 & 13

Studio¹⁰

Learn • Develop • Relax

STUDIO 10 may be entry level in terms of cost, but feature-wise it's right up there with the elite. Drawer boxes, for example, are constructed in 12mm birch plywood throughout (including the base). Complimented by no less than five durable melamine finishes as standard, it's easy to see why STUDIO 10's low cost belies the total quality built into the product.

(Set shown consists of STUDIO 10 furniture in Oak melamine with melamine edge and H1 metal bow handles. Chairs are Ratio and Caspian. Duvet cover and curtains are PANAZ 'Kula' 120 Blue / Green.)

- 170 degree three way adjustable spring-loaded hinges
- 12mm birch plywood drawer boxes
- Bespoke options on large projects
- Bolt fixed metal bow handle
- Furniture containing at least 30% certified virgin fibre







Studio²⁰

Learn • Develop • Relax



Exercise your freedom with STUDIO 20. Our mid range product offers unrivalled flexibility when it comes to Design. Sturdy matching 3mm PVC edges come as standard on STUDIO 20, giving you a welcomed strength and quality combined with Studio's bespoke options, it offers you freedom to effortlessly create your own vision of living space.

As with all versions of the Studio range, STUDIO 20 features full depth drawers, complete with four panel design for added strength and a solid 12mm base allowing a minimum 30kg load capacity for each drawer.

(Set shown consists of STUDIO 20 furniture in Maple melamine with matching 3mm PVC edge and H3 metal flat bow handles.) Chairs are from the Imbrex range. Duvet cover and curtains are PANAZ 'Stellar' 100 Blue.)

- Furniture containing at least 30% certified virgin fibre
- Highly durable matching 3mm PVC edge
- Product life expectancy 7 to 15 years
- 18mm thick carcass
- 5 handle choices



Studio²⁰

Learn • Develop • Relax

It's clear to see why STUDIO 20 is built to last. 170-degree hinges ensure doors open fully, minimising the chances of damage by forcing the door past its maximum opening position - a surprisingly common problem with standard 110-degree hinges.

Handles form a focal point with any item of furniture, and with STUDIO, there are no less than five stylish options to select from. Traditional or contemporary - polished wood or seductive satin nickel, the choice is down to you.

(Set shown consists of STUDIO 20 furniture in Apple melamine with matching 3mm PVC edge and H4 metal roll-pull handles. Chairs are from the Eaton range. Duvet cover and curtains are PANAZ 'Riviera' 413 Terracotta / Yellow.)

- Choice of desk end styles
- All units have solid 18mm thick backs for maximum strength
- Durable acrylic basin fitted to all vanity units
- Metal to metal fixings used throughout the range
- Furniture containing at least 30% certified virgin fibre







Studio²⁰

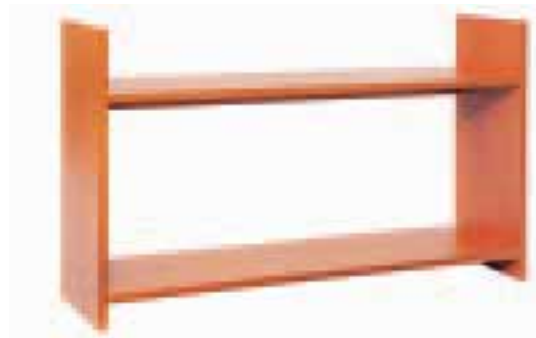
Learn • Develop • Relax



Creating a functional and relaxing living space is easy with STUDIO 20. All units have been designed with full modularity, so it's easy to find the ideal combination for any size of room. Surprising amounts of internal space have been made available too, thanks to the clever use of many optional interior fittings.

(Set shown consists of STUDIO 20 furniture in Cherry melamine with matching 3mm PVC edge and H5 wooden round handles. Seating is Conch and Student operator chair. Duvet cover and curtains are PANAZ 'Phoenix' 400 Red.)

- Affordable quality
- High quality low cost option
- Simple, understated styling
- All studio items are built entirely in our own modern factories
- Furniture containing at least 30% certified virgin fibre



Studio³⁰

Learn • Develop • Relax

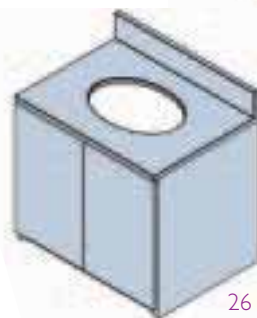
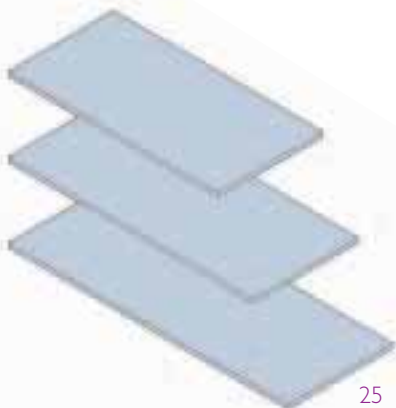
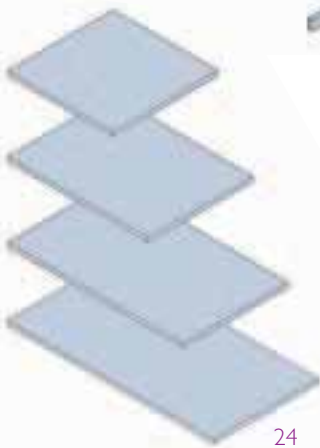
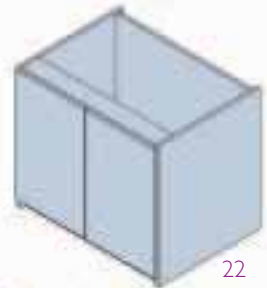
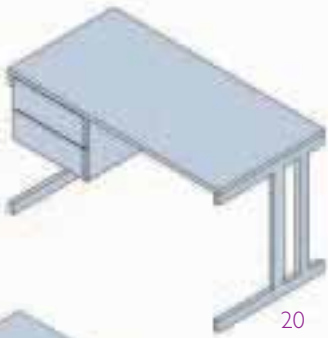
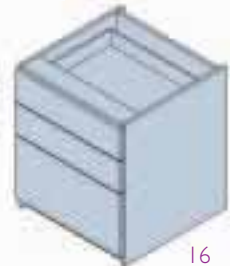
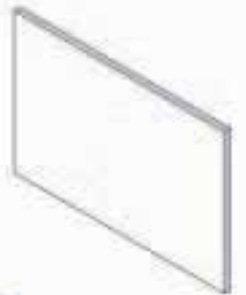
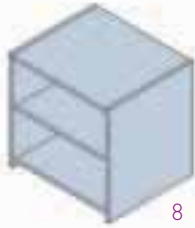
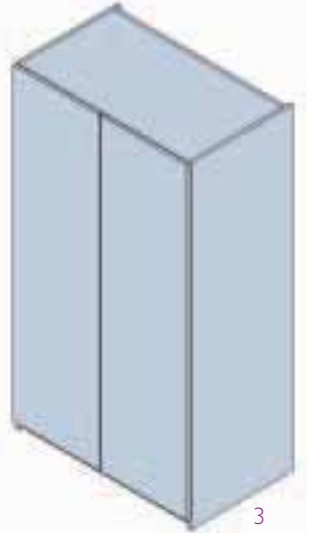
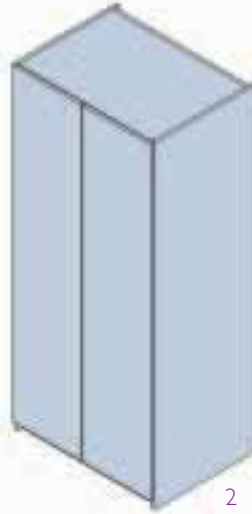
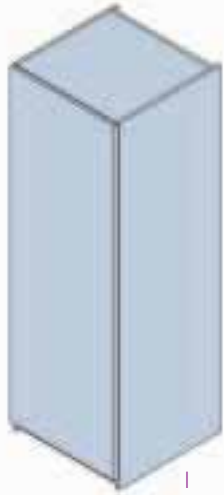
There are some environments where compromise is not an option. Enter STUDIO 30, which represents our top line in bedroom furniture. Strength and durability are complimented by the generous use of high quality veneer and solid hardwood edge lippings. Experience the warmth and beauty that only a real wood finish can offer with STUDIO 30. And don't forget that, as Godfrey Syrett manufacture the studio range completely in-house, you have the option of creating your very own bespoke solution. We are always here to guide you - with accurate planning and 3D visuals, right through to a professional installation service by our own fitting teams.

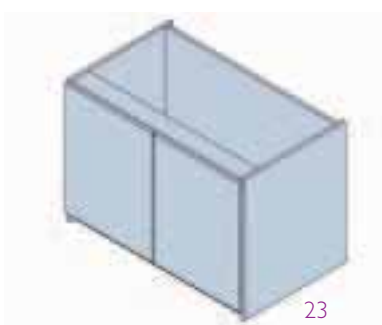
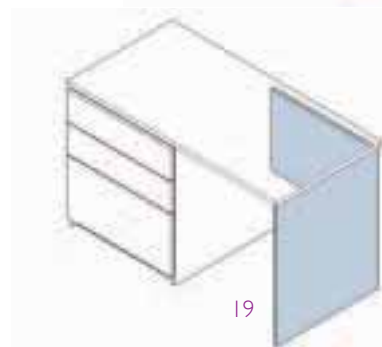
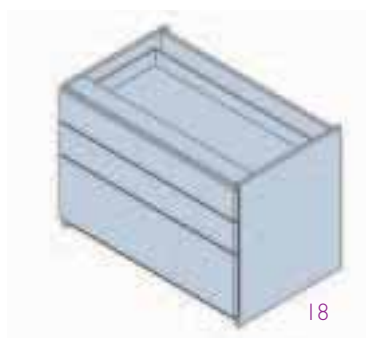
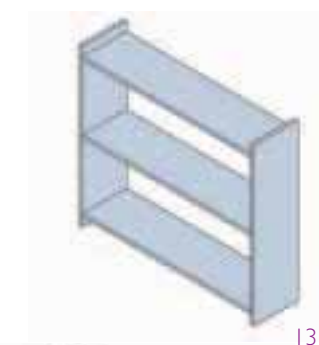
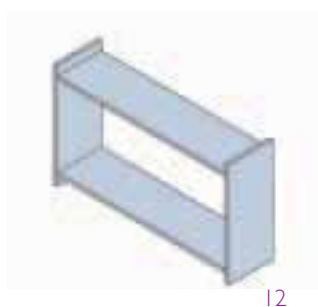
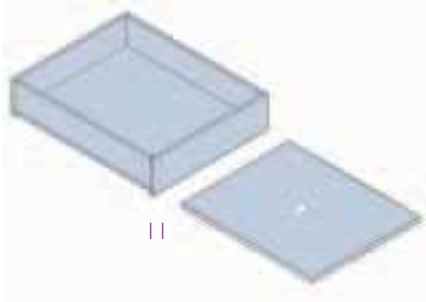
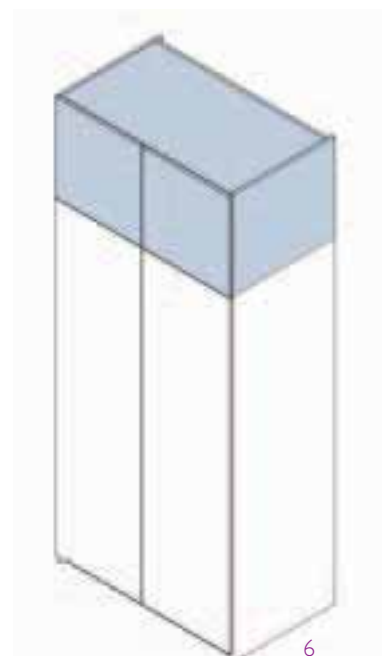
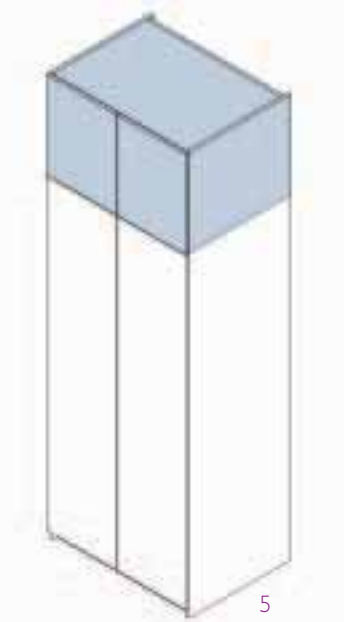
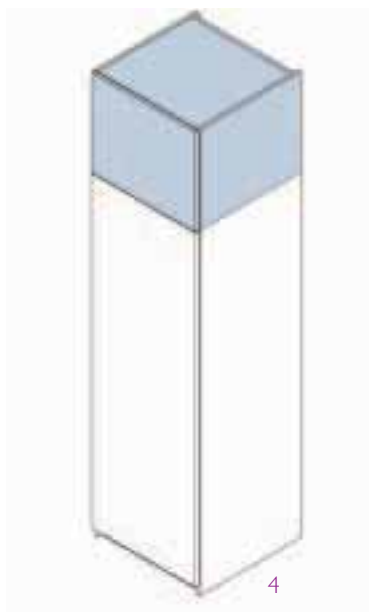
(Set shown consists of STUDIO 30 furniture in Beech veneer with Beech hardwood edge lippings and H6 Beech wooden inset handles. Chairs are Cottesmore and Ashton. Duvet cover and curtains are PANAZ 'Stratos' 147 Blue / Orange.)

- High-quality veneers
- Hardwood edge lippings
- Inset handle option
- Installation by our own fitting teams
- Creates a relaxing, luxurious living environment











Group Headquarters

Planet Place
Killingworth
Newcastle upon Tyne
NE12 6DY

t 0191 2681010

f 0191 2683134

e sales@godfreysyrett.co.uk

w www.godfreysyrett.co.uk



Q 09201



EMS 57530



SGS-COC-1552
FSC TRADEMARK © 1996
FOREST STEWARDSHIP COUNCIL A.C.

At least 30% of the MDF/MFC used in making this product line comes from well managed forests independently certified according to the rules of the Forest Stewardship Council



Sustainable Forests



Totally Chlorine Free



Printed on Recyclable Hello Silk

